

V.S.B. ENGINEERING COLLEGE, KARUR
Department of Electrical and Electronics Engineering
Academic Year 2017-18 (Even Semester)
ASSIGNMENT QUESTIONS

S.NO	SUBJECT CODE	SUBJECT NAME	PAGE NO
1	HS8251	Technical English	1
2	MA8251	Engineering Mathematics - II	1
3	PH8253	Physics for Electronics Engineering	1
4	BE8252	Basic Civil and Mechanical Engineering	1
5	EE8251	Circuit Theory	1
6	GE8291	Environmental Science and Engineering	2

HS8251- TECHNICAL ENGLISH

1. Writing Instructions / Recommendations & Job Application Letter (From Unit I/IV).

MA8251-ENGINEERING MATHEMATICS-II

1. Solve the equation $X^2 - 4X + 4I = \begin{bmatrix} 4 & 3 \\ 5 & 6 \end{bmatrix}$.
2. Consider the integral $\int_C \frac{-y}{x^2+y^2} dx + \frac{x}{x^2+y^2} dy$ using Green's theorem evaluate it when
 - i) C is the circle $x^2 + y^2 = 1$
 - ii) C is the ellipse $x^2 + \frac{y^2}{4} = 1$.

PH8253-PHYSICS FOR ELECTRONICS ENGINEERING

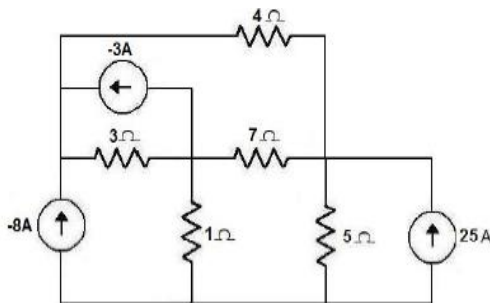
1. Tensile stress and deformation
2. Laser Applications
3. Heat Engines and Refrigerators

BE8252- BASIC CIVIL AND MECHANICAL ENGINEERING

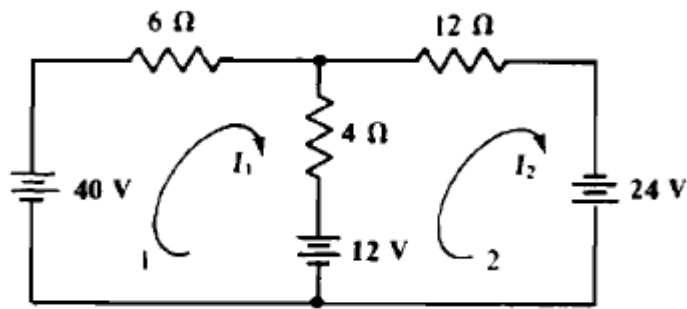
1. Explain in detail about the practical application of Geotechnical Engineering and Water Resources Engineering in Civil Engineering.
2. Explain with neat sketch the different types of piles used in the construction.
3. Mention any three of modern engines used in Maruthi & Hyundai.
4. Draw the diagrams for the following fuel injection systems of Petrol and Diesel engines of an automobile.
 - i. MPFI system
 - ii. CRDI system

EE8251- CIRCUIT THEORY

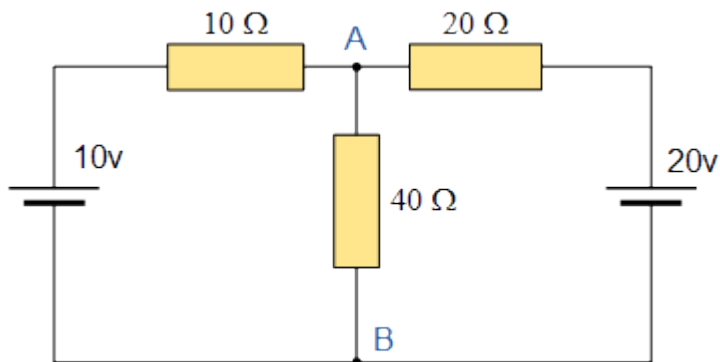
1. (a) Find the nodal voltages in the circuit of figure.



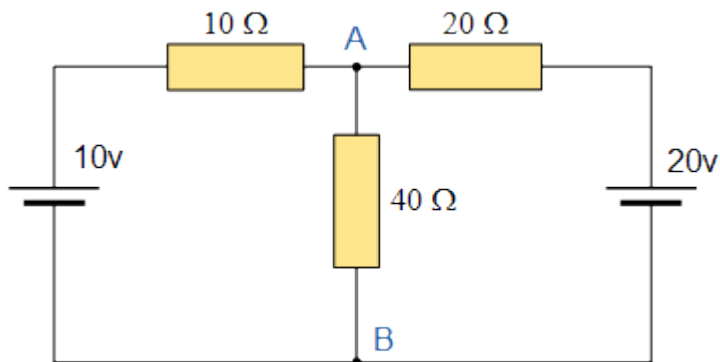
(b) Determine the mesh current in the circuit.



2. (a) Draw Thevenin's equivalent circuit for the circuit shown below.



(b) Find the current through $40\ \Omega$ resistances by using Superposition theorem for the circuit shown below.



3. Explain the transient response of RL, RC, RLC circuit with neat derivations and diagrams.
4. Discuss about three phase unbalanced circuits.
5. Explain tank resonance.

GE8291-ENVIRONMENTAL SCIENCE AND ENGINEERING

1. Discuss the Kavery river pollution problems caused by Tirupur dying industries..
2. Case study about any one nuclear accident.